

Features

- Two lever handles offer separate control of hot and cold water.
- 8-5/8" (219 mm) spout reach.
- 1.2 gpm (4.5 lpm) maximum flow rate at 60 psi (4.14 bar).
- Fluid design lines for ease of cleaning.
- Coordinates with other products in the Parallel collection.

Material

- Solid-brass construction for durability and reliability.
- KOHLER finishes resist corrosion and tarnishing.

Installation

- Wall-mount.

Required Products/Accessories

For wall-mount installation

K-410-K Wall-mount Valve

Adapters, Rough-in and Extension Kits

1349542

Range: 2-1/2" (64 mm) -
3-1/2" (89 mm)

Recommended Products/Accessories

K-23726 Drain treatment

K-23723 Faucet cleaner

Optional Products/Accessories

K-7107 Decorative Drain

K-7108 Decorative Drain

K-7124 Pop-Up Clicker Drain

K-7124-A Pop-Up Clicker Drain

K-7129 Drain

K-7129-A Drain

K-8801 Sink drain and strainer with tailpiece

1008176 Handle Kit - Deep Rough-In



ADA

CSA B651

OBC

Codes/Standards

ASME A112.18.1/CSA B125.1

NSF/ANSI 61

NSF/ANSI 372

All applicable US Federal and State material regulations

DOE - Energy Policy Act 1992

EPA WaterSense®

California Energy Commission (CEC)

ADA

ICC/ANSI A117.1

CSA B651

OBC

KOHLER® Faucet Lifetime Limited Warranty

See website for detailed warranty information.

Available Colors/Finishes

Color tiles intended for reference only.

Color Code Description



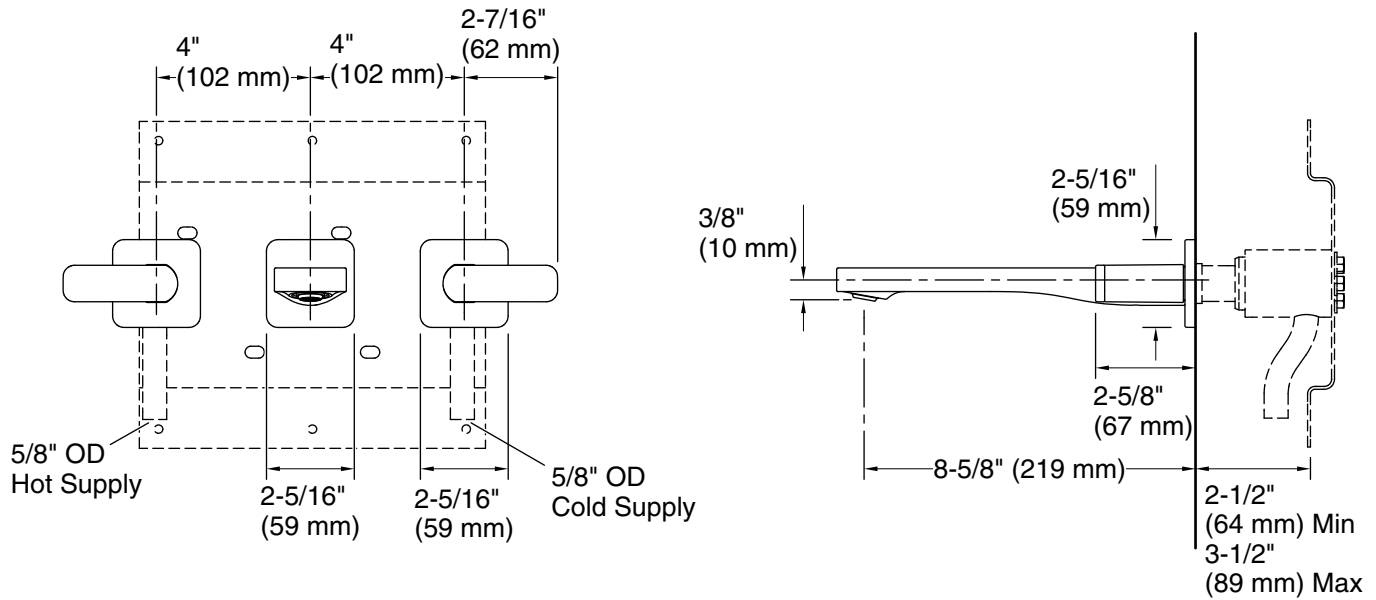
CP Polished Chrome



BN Vibrant® Brushed Nickel



BL Matte Black



Technical Information

All product dimensions are nominal.

Faucet:

Flow rate: 2 gal/min (7.6 l/min)

Pressure: 60 psi (4.1 bar)

Drain included: No

Notes

Install this product according to the installation instructions.

ADA, OBC, CSA B651 compliant when installed to the specific requirements of these regulations.